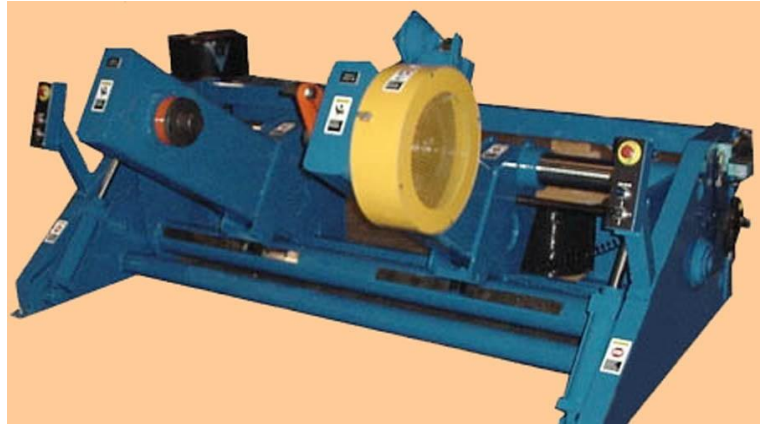


# The MGS Group



## MGS SERIES POSL SHAFTLESS PAYOFF

The MGS Series POSL Shaftless Payoffs are engineered and constructed for many years of trouble free service. Our Payoff line includes six standard sizes accommodating reels up to 120-inch in diameter and up to 84-inch in outside width. An outstanding feature is the extremely broad range of reels that each size machine will accept.



### Features

#### Brake System

A caliper and disc air brake is standard on our non-driven Payoffs.

This system is controlled by a pressure regulator and a manual on/off valve.

#### Construction

Frame side members are of welded steel plate with double walls in areas of greatest stress. Lift arms are of rectangular steel tubing, giving a clean appearance as well as great strength.

#### Pintles

Long-wearing case-hardened pintles are bolted in place to permit easy exchange when required.

Shafts are supported by ball bearings on smaller machines, and by spherical roller bearings on larger models.

#### Control Station

For operator convenience, a control station for up, down, open, and close is located at each side. Our Payoffs are equipped with pushbuttons or joysticks according to Customer preference.

#### Safety Features

Lift arms will move only when the spring return buttons or joysticks are depressed. Elevated reels are locked in place by a pilot operated check valve on each cylinder. Reels are lowered by gravity at a controlled rate, and cannot be forced against the floor.

Arms can be stalled in any direction without harm to the machine.

#### Machine Finish

Machines are cleaned, primed, and spray finished with a tough machinery enamel.

#### Electrical Equipment

Electrical controls are housed in a NEMA-12 enclosure with a disconnect switch. These include a starter for the hydraulic pump motor and a 110-volt control transformer. Input is 460/3/60 unless otherwise specified.

#### Dual Horizontal Arm Drive (Optional)

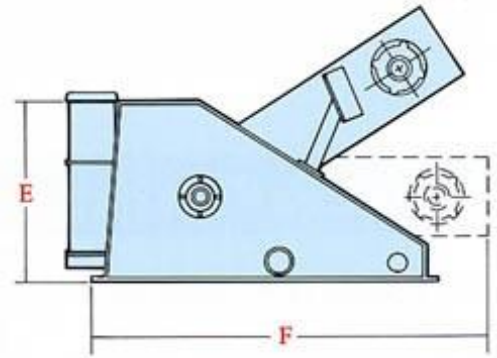
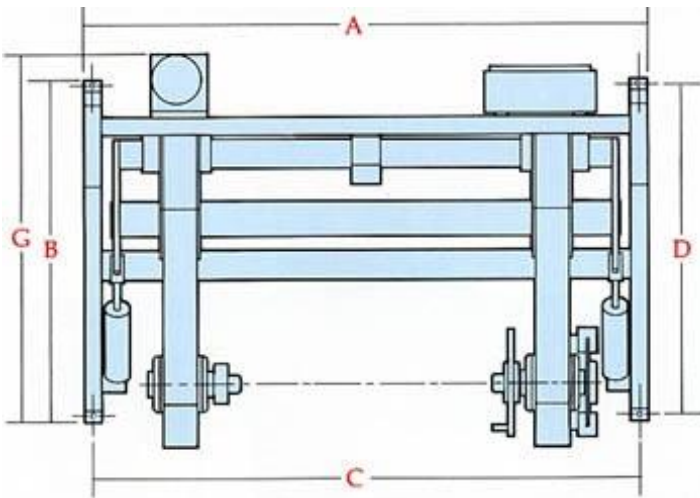
This makes it possible to load reels that are not centered. One pintle will engage the reel before the other and stall. The other will continue to move until engaged.

#### Dual Level Brake (Optional)

This includes two pressure regulators and a solenoid valve to provide normal braking and a stop mode.

#### High Capacity Brake (Optional)

This optional brake will continuously dissipate as much as five horsepower.



### CAPACITY:

MODEL	MAX / MIN REEL DIAMETER	MAX / MIN REEL OAW	REEL WEIGHT LBS
POSL-48	50" / 20"	36" / 12"	8,000
POSL-60	63" / 20"	48" / 12"	12,000
POSL-72	72" / 26"	51" / 12"	14,000
POSL-84	84" / 30"	61" / 12"	20,000
POSL-96	96" / 40"	78" / 14"	30,000
POSL-108	108" / 40"	84" / 14"	35,000
POSL-120	120" / 40"	84" / 14"	40,000
POSL-120HD	120" / 48"	84" / 20"	80,000

### DIMENSIONS:

MODEL	DIMENSIONS IN INCHES						
	A	B	C	D	E	F	G
POSL-48	78 7/8	44	76 7/8	41	33	50	52 1/2
POSL-60	95 3/4	57	92 3/4	55	32	64 3/4	61 1/2
POSL-72	101 1/2	61	98 1/2	59	32	70 3/4	67 1/2
POSL-84	112	68 1/2	108	66 1/2	36	78 3/4	74 1/2
POSL-96	145	82 1/2	140	80 1/2	41 1/4	90 3/4	89
POSL-108	156	84 3/4	153 1/2	73	41 1/4	95 1/2	92 1/2
POSL-120	156	97 1/2	153 1/2	86	41 1/4	104	105 1/4
POSL-120HD	171	94	176	70	50	111	112

MGS / HALL designs and manufactures product handling solutions which include Payoffs, Takeups, Dancers, Accumulators, Measuring Machines, and Capstans to handle most any product from sensitive optical fiber to 1000MCM (507-mm<sup>2</sup>) power cable. We also can handle odd shapes, tubing, ribbon, and tape.

Our Automatic and Semiautomatic Takeups are extremely reliable for on-line packaging of a wide range of products and reels at high speeds, resulting in significant cost savings.

Machines that are built to meet the specifications of the individual customer is a characteristic of MGS/HALL systems. Comprehensive design and engineering capabilities together with meticulous manufacturing techniques and careful testing assure customer satisfaction. Some say we design machines with the user in mind. We like to think we're in the business of solving problems for other business – like yours!

## *The MGS Group*

[www.themgsgroup.com](http://www.themgsgroup.com) | [sales@themgsgroup.com](mailto:sales@themgsgroup.com) | 315-337-3350

**MGS Manufacturing**  
122 Otis Street  
Rome, NY 13441 USA

**Hall Industries**  
8C Commerce Drive  
North Branford, CT 06471 USA

**Northampton Machinery Co.**  
7 Deer Park Road  
Northampton NN3 6RX England